



Pump Cup & Wall Plates

When you need to hold a light, panel or accessory but the available surface is flat as a mirror, with no way to clamp to it, we still provide a solution: a complete system of plates equipped with standard pins and bushings or a suction pump cup for stunning bonds to glass surfaces.



Pump Cup & Wall Plates Pump Cups

Solid light mounting solutions for smooth surfaces.

- Suction cup support allows you to mount small lights and accessories on walls, floors, ceilings, windows, mirrors or any smooth flat surfaces where other mounts are not appropriate.
- Our design ensures the load is held much closer to the support surface increasing load capacity.
- You can even get support on the move by mounting the suction cup to a vehicle window.

LS.241

PUMP CUP WITH 16mm SWIVEL SOCKET

📦 1.2kg

📏 16mm

Suction cup for small fixtures and lightweight equipment. Ø: 150mm. 16mm bushing with safety pin.



LF.10000.A

PUMP CUP WITH 16mm BABY SWIVEL SPIGOT

📦 1.1kg

📏 Type 33

Ideal for mounting small lights and camera systems onto flat, non-porous surfaces such as glass. A perfect tool for rigging car shoots.



LS.241S

PUMP CUP WITH 16mm SOCKET

📦 1.2kg

📏 16mm

A suction cup with a fixed 16mm socket incorporating a safety pin for added security.



LF.11000.A

PUMP CUP WITH 16mm BABY FIXED SPIGOT

📦 0.7kg

📏 Type 33

Like the LF.10000.A, but with a fixed baby pin for added stability.



LF.8009.A

BABY PLATE WITH 90° PIN

 0.65kg

 16mm

When a light stand or a clamp cannot be used to support fixtures, this baby plate with a right angle can be mounted on the wall.



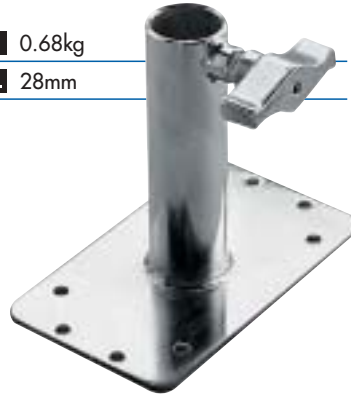
LF.3000.A

JUNIOR WALL PLATE

 0.68kg

 28mm

A wall plate with a junior receiver to mount larger fixtures.



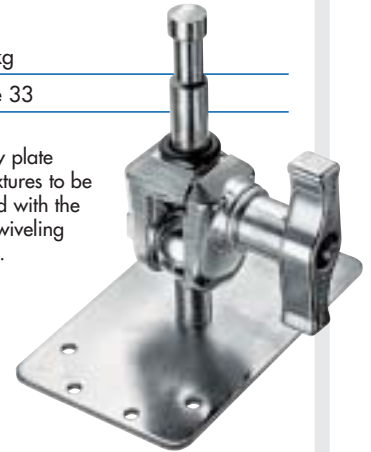
LF.8010.A

BABY PLATE WITH 16mm SWIVEL SPIGOT

 0.8kg


 Type 33

This baby plate allows fixtures to be fine-tuned with the built in swiveling baby pin.



LF.8000.A

3" BABY WALL PLATE

 0.4kg

 16mm

Baby plates allow for the quick mounting of fixtures in places where light stands and clamps cannot be used. Length: 3".



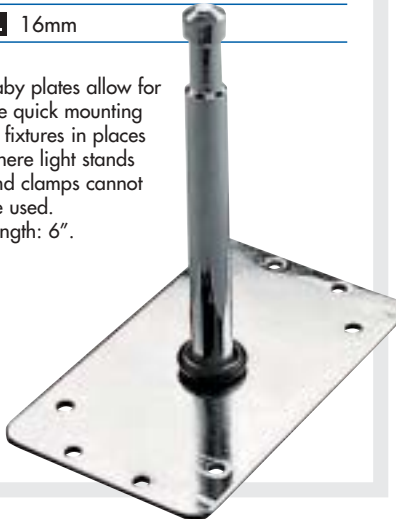
LF.8005.A

6" BABY WALL PLATE

 0.72kg


 16mm

Baby plates allow for the quick mounting of fixtures in places where light stands and clamps cannot be used. Length: 6".



LF.8015.A

BABY PLATE "T" PIN

 0.94kg


 Type 33

Height: 38cm.



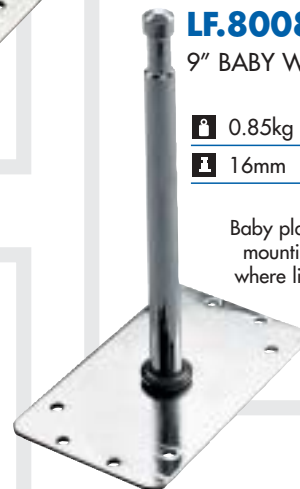
LF.8008.A

9" BABY WALL PLATE

 0.85kg


 16mm

Baby plates allow for the quick mounting of fixtures in places where light stands and clamps cannot be used. Length: 9".



LC.11000.A

SPARROW PLATE WITH 16mm STUD

 0.18kg

 16mm

